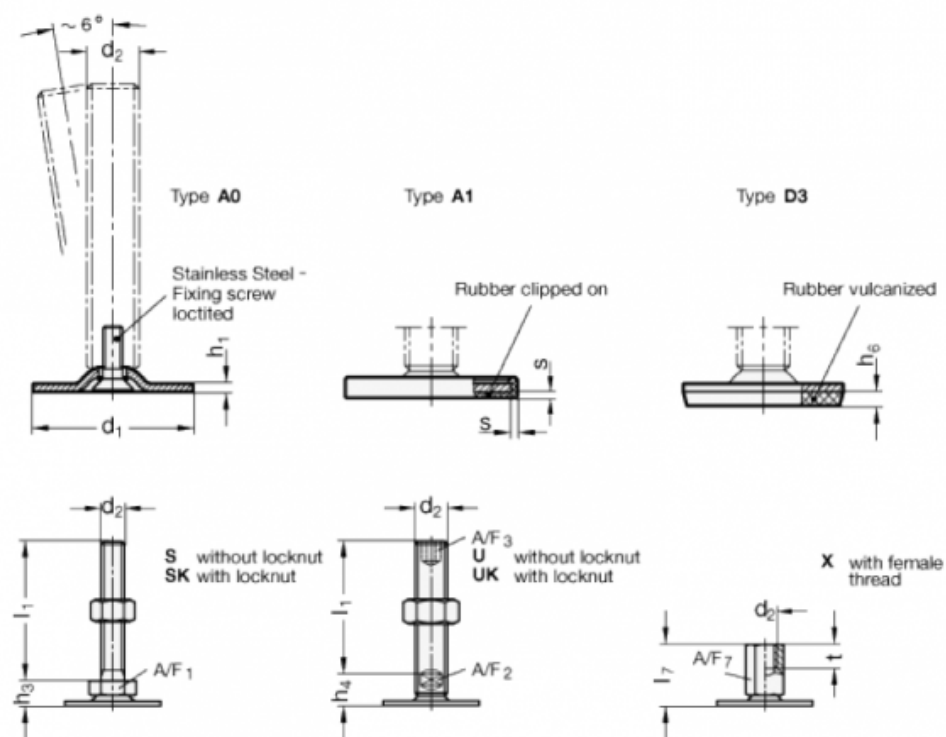


Article number: 204060M825A1X
 Description: E+G levelling foot
 GN 40-60-M8-25-A1-X
 Note: X With female thread, External hexagon

Measures



A/F7 = 14
 d1 = 60
 d2 = M8
 h1 = 2.5
 h6 =
 l7 = 25
 s = 2
 t = 8